

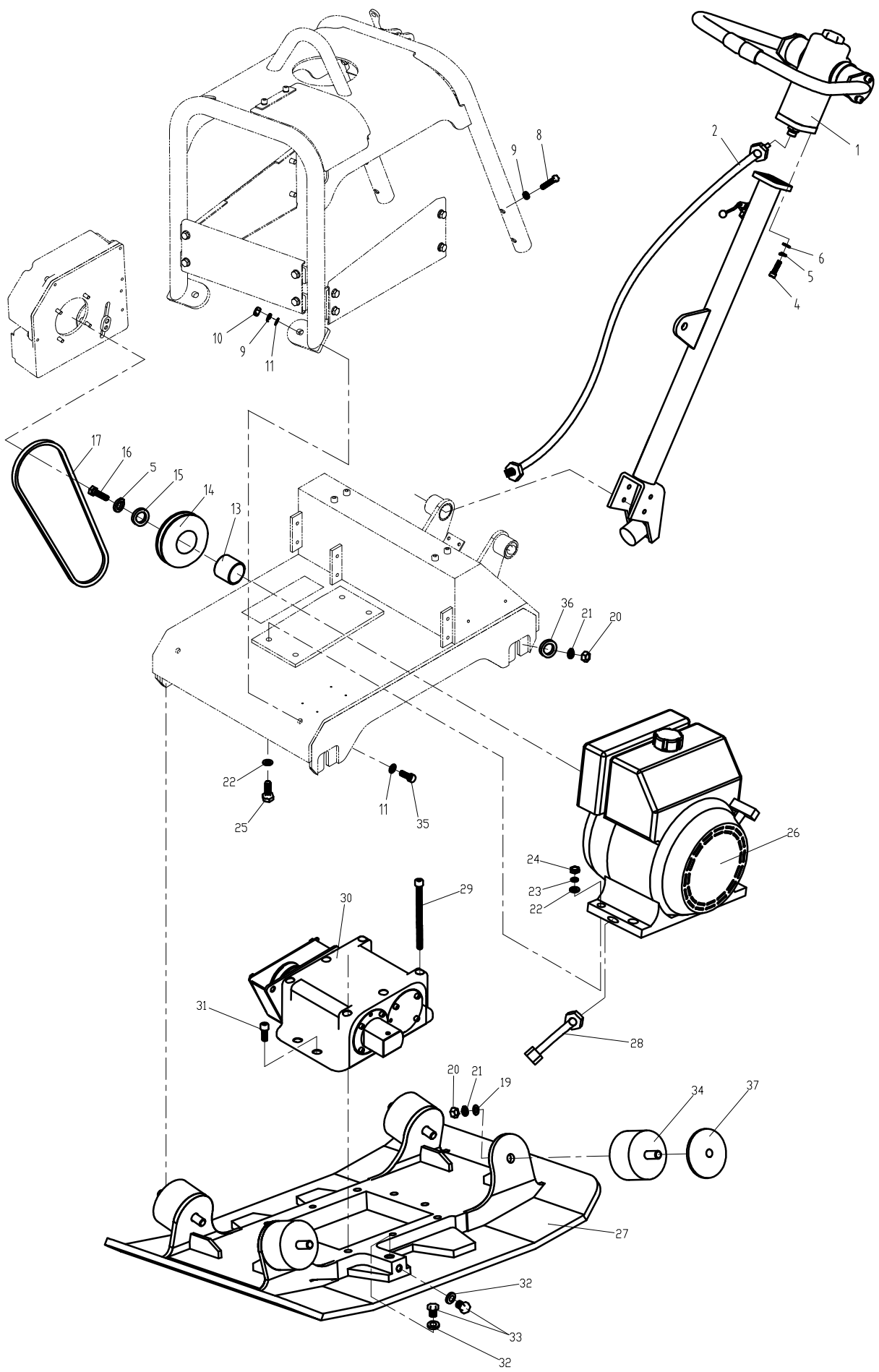


PARTS MANUAL

HYDRAULIC REVERSIBLE PLATE COMPACTOR

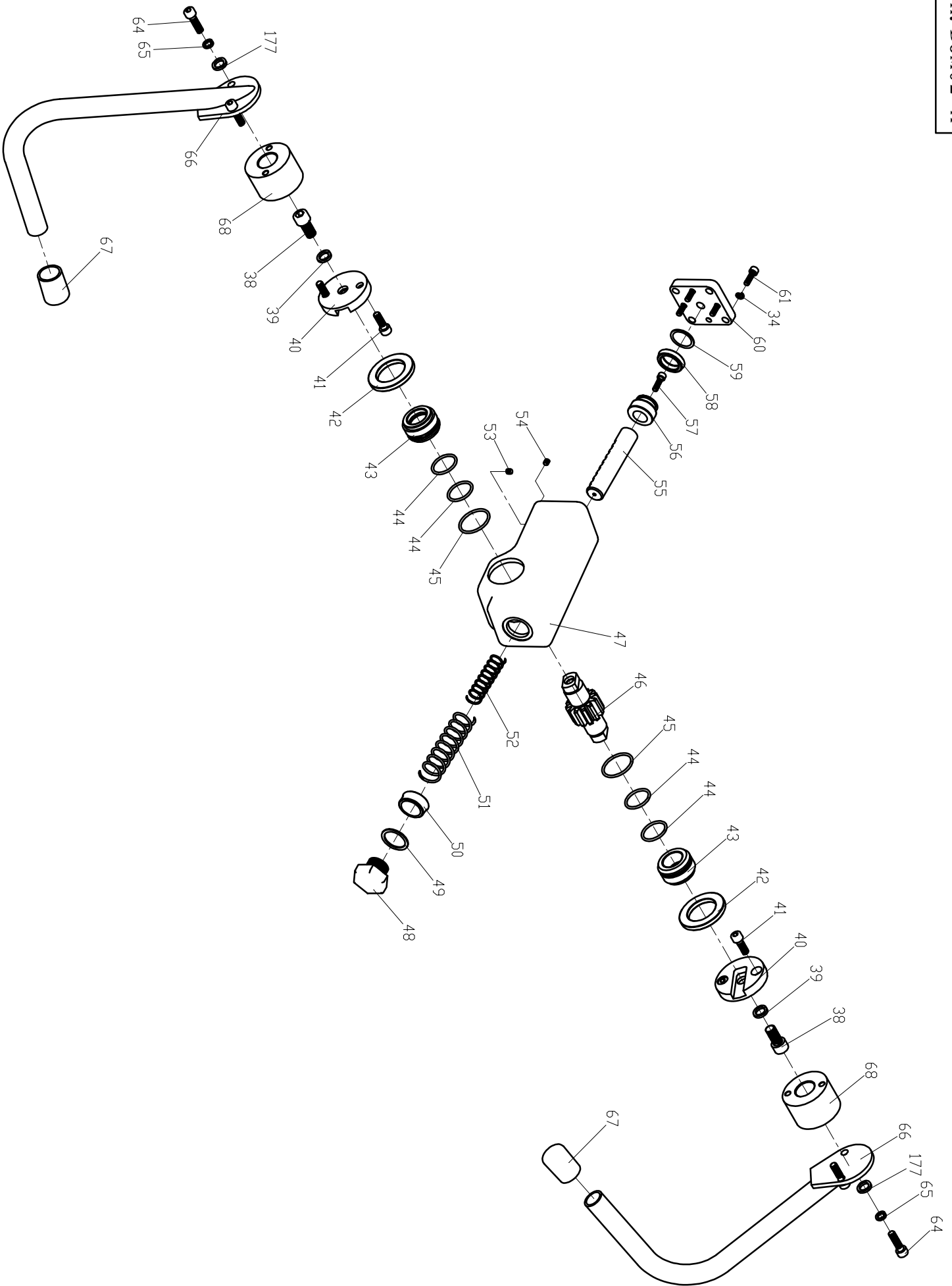
PCR6037H



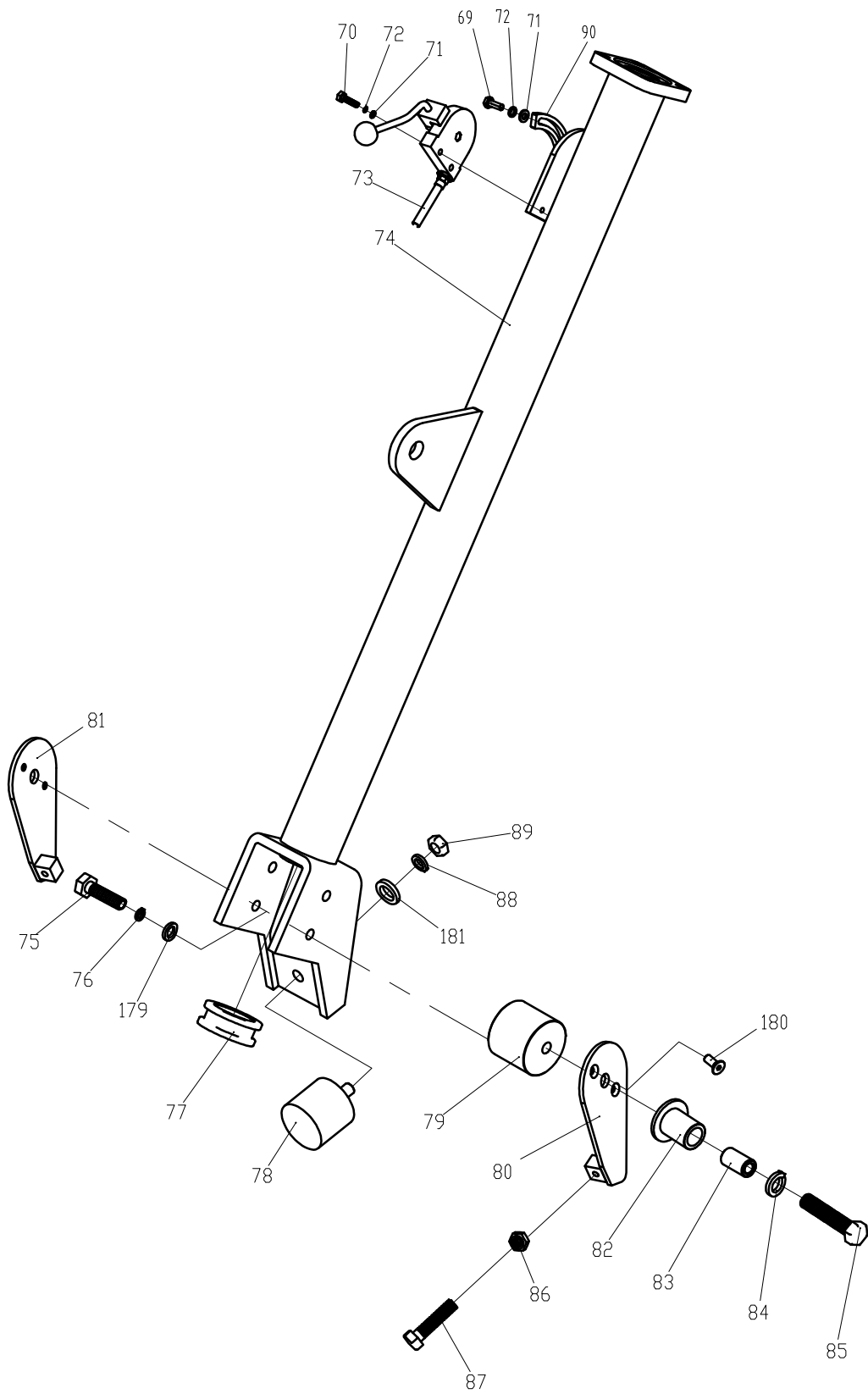


PCR6037H. BOM01-A

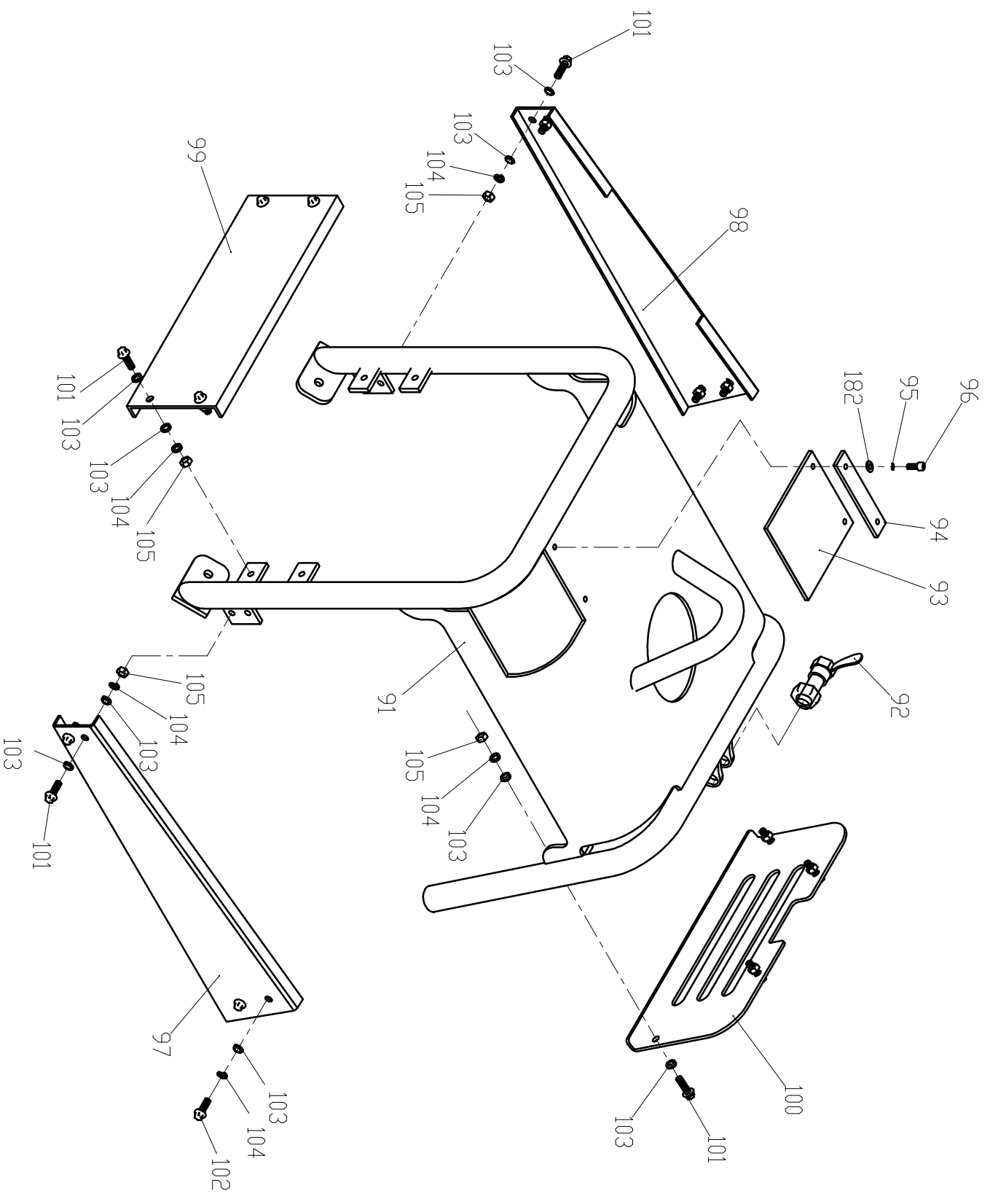
ITEM NO.	PART NO.	DESCRIPTION	QTY	ERP NO.	REMARK
1	MH6040R.04G-YSJ	HYDRAULIC PUMP ASSY.	1	52899016	
2	MH6040R.20	HYDRAULIC TUBING ASSY.	1	41001033	
4	GB70.1-M8x40 达克罗	HEX SOCKET HEAD SCREW	4	20306106	
5	GB93-8 达克罗	SPRING WASHER	5	20509006	
6	GB97.1-8 达克罗	FLAT WASHER	4	20501007	
8	GB70.1-M12x35 达克罗	HEX SOCKET HEAD SCREW	4	20306202	
9	GB93-12 达克罗	SPRING WASHER	6	20509009	
10	GB889.1-M12 达克罗	LOCK NUT	2	20405007	
11	GB97.1-12 达克罗	FLAT WASHER	4	20501010	
13	MH7060R.15G	ENGINE SLEEVE(GX390)	1	40507017	
14	MH6040R.10G	CLUTCH ASSY.	1	52801004	
15	MH6040R.14G	WASHER(GASOLINE ENGINE)	1	40504042	
16	GB70.1-M8x45 达克罗	HEX SOCKET HEAD SCREW	1	20306107	
17	XPB1013La 991Ld 5VX396 (三力士)	BELT	1	21201062	
19	GB97.1-16 达克罗	FLAT WASHER	4	20501013	
20	GB889.1-M16 达克罗	LOCK NUT	8	20405009	
21	GB93-16 达克罗	SPRING WASHER	8	20509011	
22	GB97.1-10 达克罗	FLAT WASHER	8	20501009	
23	GB93-10 达克罗	SPRING WASHER	4	20509008	
24	GB889.1-M10 达克罗	LOCK NUT	4	20405006	
25	GB5783-M10x55 达克罗	HEX HEAD SCREW	4	20102159	
26	GX270H-SH	HONDA	1	41401016	
27	MH6037R.01	BASE PLATE ASSY	1	40803010	
28	MH6040R.18G	OIL DRAIN HOSE	1	41001034	
29	GB70.1-M12x150 10.9级 达克罗	HEX SOCKET HEAD SCREW	6	20306207	
30	MH6037R.02G-YSJ	VIBRATION BOX ASSY	1	52299014	
31	GB70.1-M12x50 10.9级 达克罗	HEX SOCKET HEAD SCREW	4	20306203	
32	JB1002-14	COPPER PAD	2	21105004	
33	JB4450-M14x1.5	HEXAGON PLUG SCREW	2	21103002	
34	MH6040R.13	SHOCK ABSORBER	4	41201014	
35	GB5783-M12x45 达克罗	HEX HEAD SCREW	2	20102204	
36	GB96.1-16 达克罗	LARGE WASHER	4	20504007	
37	MH6040R.21	ADJUSTMENT SPACER	4	40504043	



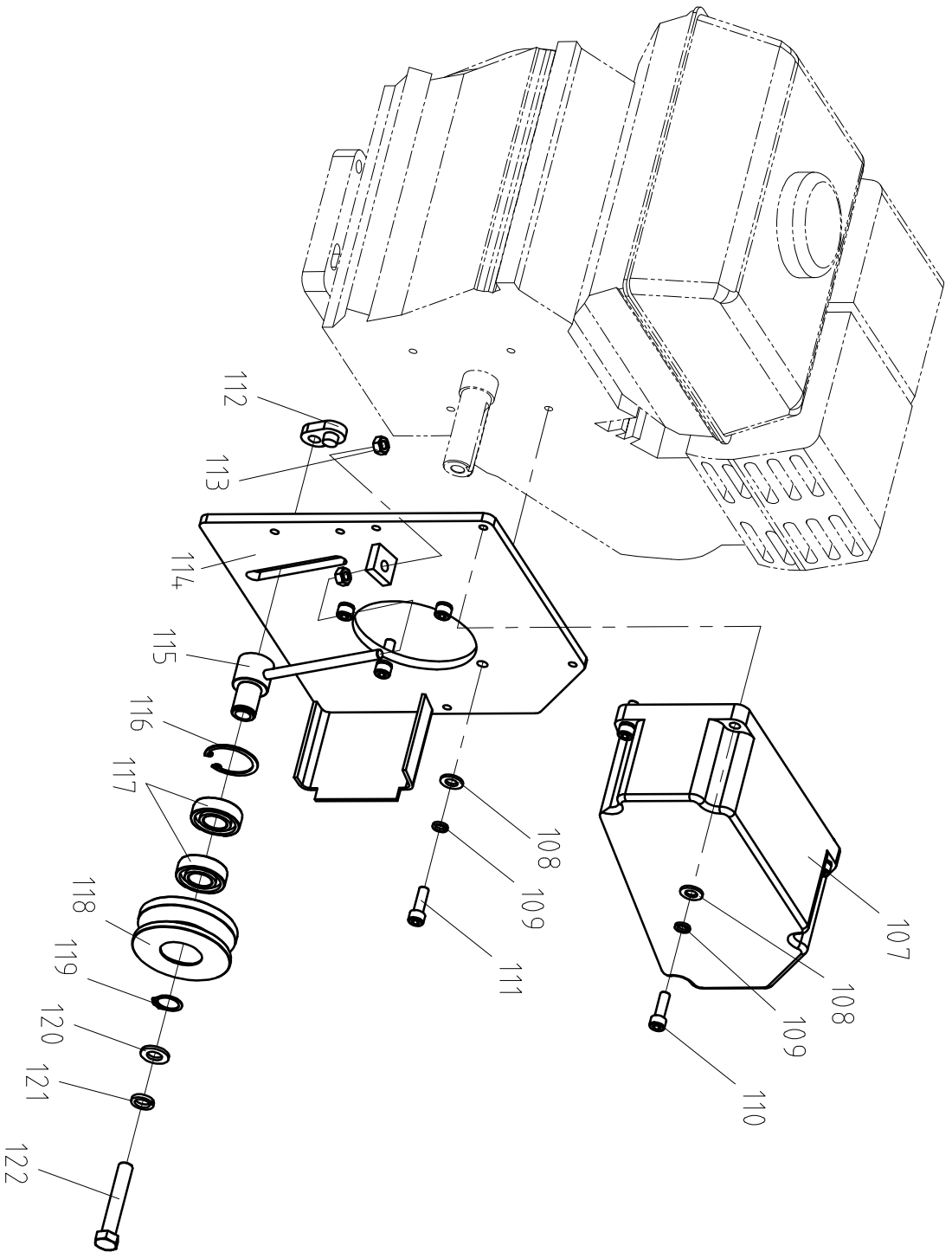
PCR6037H. BOM02-A					
ITEM NO.	PART NO.	DESCRIPTION	QTY	ERP NO.	REMARK
38	GB70.1-M12x25 达克罗	HEX SOCKET HEAD SCREW	2	20306200	
39	GB93-12 达克罗	SPRING WASHER	2	20509009	
40	MH4025R.00.04.01-07	FIXING PLATE	2	40201019	
41	GB70.1-M8x16 达克罗	HEX SOCKET HEAD SCREW	4	20306101	
42	MH6040R.04.01.09	NYLON WASHER	2	41201063	
43	MH6040R.04.01.11A	SLEEVE	2	40507019	
44	GB3452.1-25.8x2.65 硅	O-TYPE SEAL RING	4	21101351	
45	GB3452.1-38.7x2.65 硅	O-TYPE SEAL RING	2	21101358	
46	MH6040R.04.01.03	GEAR SHAFT	1	40601009	
47	MH6040R.04.01.01	CASE, HYDRAULIC PUMP	1	40901011	
48	JB4450-M27x1.5	HEXAGON PLUG SCREW	1	21103003	
49	JB1002-27	COPPER PAD	1	21105005	
50	MH6040R.04.01.02	SLEEVE	1	40504047	
51	MH6040R.04.01.06B	SPRING, OUTER	1	40103018	
52	MH6040R.04.01.05B	SPRING, INNER	1	40103017	
53	GB1016-6x6	RIVET 6x6	2	20704001	
54	GB73-M6x8	SCREW	1	20318005	
55	MH6040R.04.01.04A	GEAR RACK	1	40601010	
56	MH6040R.04.01.07	PISTON	1	40507018	
57	GB70.1-M12x30 达克罗	HEX SOCKET HEAD SCREW	1	20306201	
58	GB10708.1-56x46x7.3	GASKET, RUBBER	1	21107004	
59	GB3452.1-58x3.55	O-TYPE SEAL RING	1	21101161	
60	MH6040R.04.01.08B	SEAL PLATE	1	40203107	
61	GB70.1-M8x30 达克罗	HEX SOCKET HEAD SCREW	4	20306104	
64	GB70.1-M8x20 达克罗	HEX SOCKET HEAD SCREW	4	20306102	
65	GB93-8 达克罗	SPRING WASHER	8	20509006	
66	MH6040R.04.01.10	HANDLE	2	40305009	
67	MH6040R.04.01.02	SLEEVE	1	40504047	
68	MH4025R.00.04.01-03	SHOCK ABSORBER	2	41201013	
177	GB97.1-8 达克罗	FLAT WASHER	4	20501007	



PCR6037H. BOM03-A					
ITEM NO.	PART NO.	DESCRIPTION	QTY	ERP NO.	REMARK
69	GB5783-M6x16 达克罗	HEX HEAD SCREW M6x16	1	20102053	
70	GB5783-M6x25 达克罗	HEX HEAD SCREW M6x25	2	20102055	
71	GB97.1-6 达克罗	FLAT WASHER	3	20501005	
72	GB93-6 达克罗	SPRING WASHER	3	20509004	
73	MH6040R.19G	THROTTLE CONTROL LEVER	1	52801006	
74	MH6037R.04HJ	WELDING DIAGRAM	1	40305190	
75	GB5783-M8x25 达克罗	HEX HEAD SCREW M8x25	4	20102102	
76	GB93-8 达克罗	SPRING WASHER	4	20509006	
77	MH4025R.00.04.02-11	SLEEVE	1	41404007	
78	MH6040R.33	SHOCK ABSORBER	1	41201033	
79	MH6040R.07	SHOCK ABSORBER	2	41201032	
80	MH6040R.12B-C	STOPPER, LEFT	1	40303015	
81	MH6040R.12A-C	STOPPER, RIGHT	1	40303014	
82	MH6040R.08	NYLON SLEEVE	2	41201062	
83	MH6040R.09	HANDLE SOCKET	2	40505014	
84	GB93-16 达克罗	SPRING WASHER	2	20509011	
85	GB5783-M16x60 达克罗	HEX HEAD SCREW M16x60	2	20102250	
86	GB6170-M10 达克罗	I TYPE NUT M10	2	20401005	
87	GB5782-M10x60 达克罗	HEX HEAD SCREW M10x60	2	20101051	
88	GB93-10 达克罗	SPRING WASHER	1	20509008	
89	GB889.1-M10 达克罗	LOCK SCREW M10	1	20405006	
90	MH6040R.04.06	LIMITING PLATE	1	40208030	
179	GB97.1-8 达克罗	FLAT WASHER	4	20501007	
180	GB70.3-M8x20 达克罗	SOCKET HEAD SCREW M8x20	4	20308101	
181	GB97.1-10 达克罗	FLAT WASHER	1	20501009	

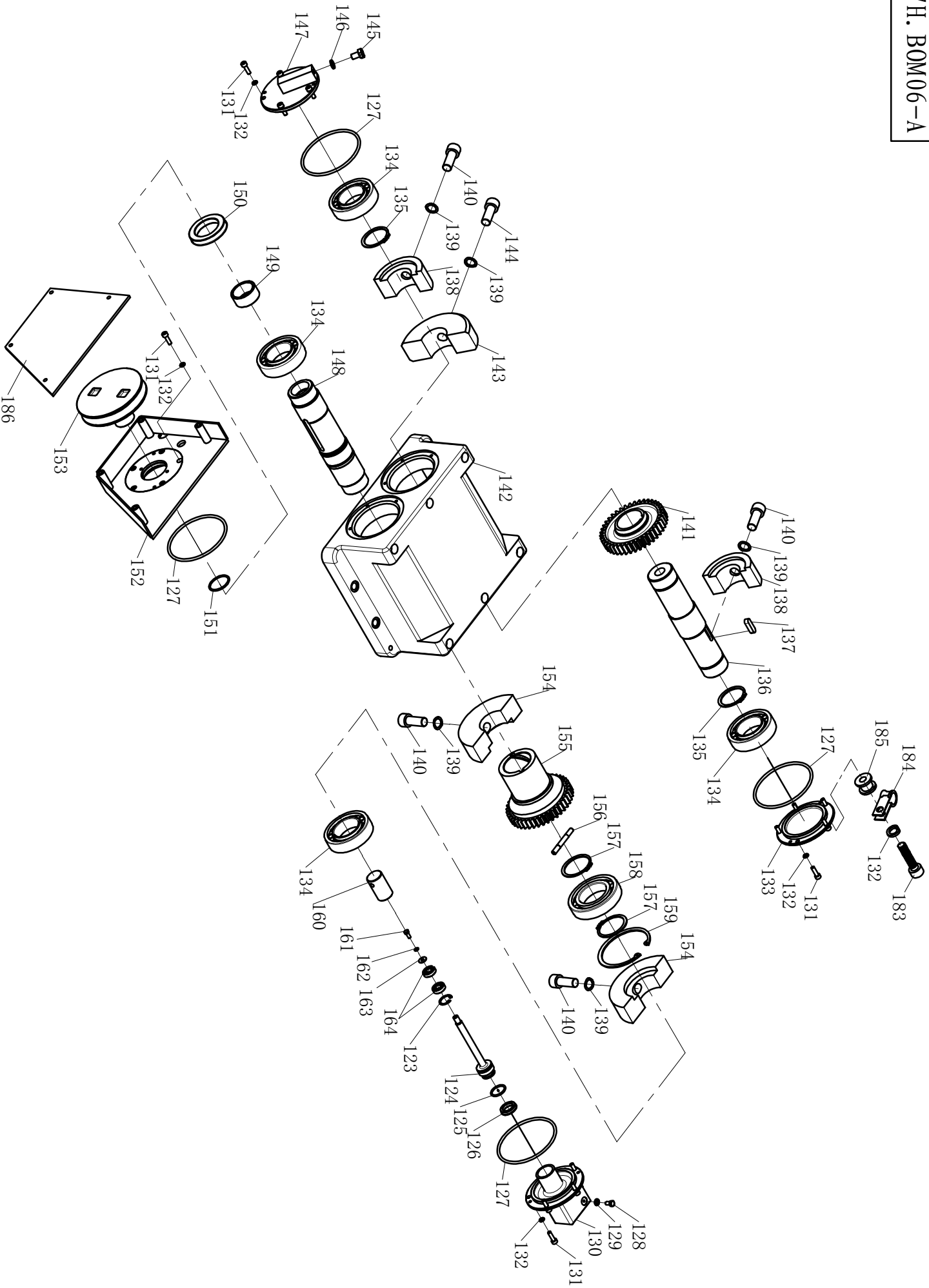


PCR6037H. BOM04-A					
ITEM NO.	PART NO.	DESCRIPTION	QTY	ERP NO.	REMARK
91	MH6037R. 05G-XL	PROTECTIVE FRAME	1	40305238	
92	170001	HEXAGON NUT	1	41403025	
93	MH6037R. 33G	RUBBER COVER PLATE	1	41203051	
94	MH4025R. 00. 15	RUBBER PLATEN	1	40203071	
95	GB93-8 达克罗	SPRING WASHER	2	20509006	
96	GB5783-M8x20 达克罗	HEX HEAD SCREW M8x20	2	20102101	
97	MH6037R. 05. 07B-G	COVER PLATE, LEFT	1	40203346	
98	MH6037R. 05. 07A-G	COVER PLATE, RIGHT	1	40203345	
99	MH6037R. 05. 05PAC	COVER PLATE, FRONT	1	40203387	
100	MH6040R. 05. 06G	COVER PLATE, BACK	1	40207126	
101	GB5783-M10x30 达克罗	HEX HEAD SCREW M10x30	12	20102154	
102	GB5783-M10x20 达克罗	HEX HEAD SCREW M10x20	4	20102150	
103	GB97. 1-10 达克罗	FLAT WASHER	28	20501009	
104	GB93-10 达克罗	SPRING WASHER	16	20509008	
105	GB889. 1-M10 达克罗	LOCK SCREW M10	12	20405006	
182	GB97. 1-8 达克罗	FLAT WASHER	2	20501007	

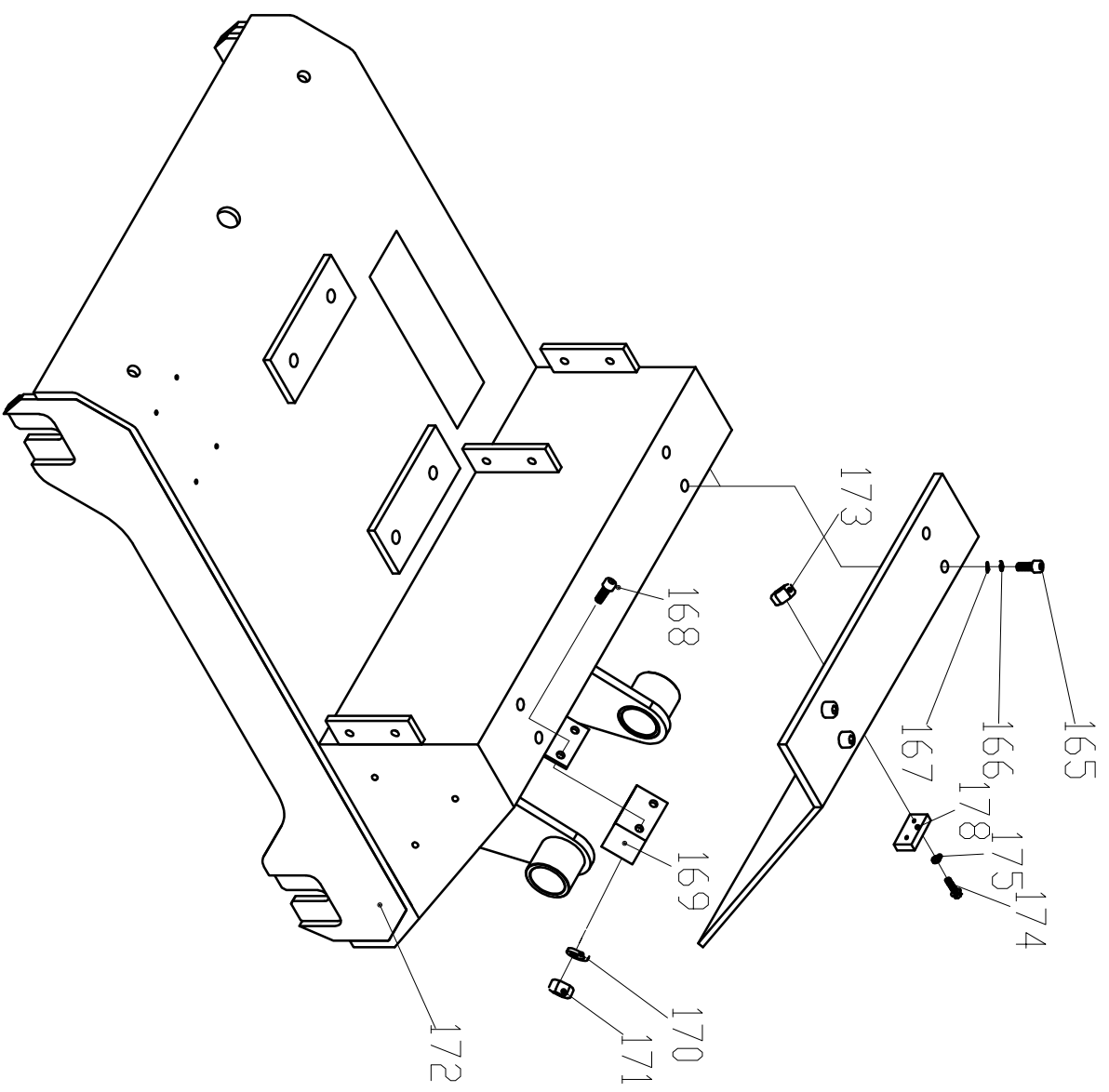


PCR6037H. BOM05-A

ITEM NO.	PART NO.	DESCRIPTION	QTY	ERP NO.	REMARK
107	MH6040R. 11. 01G-MH	CLUTCH COVER	1	40303018	
108	GB97. 1-8 达克罗	FLAT WASHER	8	20501007	
109	GB93-8 达克罗	SPRING WASHER	8	20509006	
110	GB70. 1-M8x25 达克罗	HEX SOCKET CAP SCREW	4	20306103	
111	GB5783-M8x25 达克罗	HEX HEAD SCREW	4	20102102	
112	MH6037R. 06. 03G	NUT	1	40707014	
113	GB6170-M8 达克罗	I TYPE NUT	2	20401004	
114	MH6037R. 11. 02G	SUBSTRATE GROUP	1	40303118	
115	MH6040R. 06. 01B	SHAFT	1	40402024	
116	GB893. 1-42 达克罗	ELASTIC COOLAR FOR HOLE	1	20602007	
117	6004DDUC3 NSK	BEARING	2	21001119	
118	MH6040R. 06. 02A	BELT TENSIONER	1	40607016	
119	GB894. 1-20 达克罗	RETAINING RING	1	20601008	
120	GB97. 1-12 达克罗	FLAT WASHER	1	20501010	
121	GB93-12 达克罗	SPRING WASHER	1	20509009	
122	GB5783-M12x80 达克罗	HEX HEAD SCREW M12x80	1	20102211	



PCR6037H. BOM06-A					
ITEM NO.	PART NO.	DESCRIPTION	QTY	ERP NO.	REMARK
123	GB893.1-24 达克罗	ELASTIC COOLAR FOR HOLE	1	20602003	
124	MH6040R.02.06.01	DRIVE SHAFT	1	40403003	
125	GB3452.1-25x2.65	O-TYPE SEAL RING	1	21101069	
126	GB10708.1-30x20x6.3	GASKET, RUBBER	1	21107001	
127	GB3452.1-90x2.65 硅	O-TYPE SEAL RING	4	21101360	
128	GB70.1-M6x12 达克罗	SOCKET CAP SCREW	1	20306050	
129	JB1002-6	COPPER PAD	1	21105001	
130	MH6040R.02.07A	CYLINDER COVER	1	40903008	
131	GB70.1-M6x20 达克罗	SOCKET CAP SCREW	20	20306053	
132	GB93-6 达克罗	SPRING WASHER	20	20509004	
133	MH6040R.02.08A	BEARING COVER	1	40502005	
134	NJ2210ETC3 NSK	BEARING	4	21004003	
135	GB894.1-50 达克罗	RETAINING RING	2	20601017	
136	MH6040R.02.15	DRIVEN SHAFT	1	40406025	
137	GB1096 键 10x8x32	A KEY	1	20901201	
138	MH6037R.02.09	ECCENTRIC BLOCK	2	40508040	
139	GB1972-2005 ϕ 31.5x16.3x2 达克罗	BUTTERFLY WASHER	5	20517005	
140	GB70.1-M16x40 10.9级 达克罗	SOCKET CAP SCREW	4	20306250	
141	MH6040R.02.10	DRIVEN GEAR	1	40601008	
142	MH6040R.02.01A	VIBRATION BOX	1	40901010	
143	MH6037R.02.11	ECCENTRIC BLOCK	1	40508041	
144	GB70.1-M16x60 10.9级 达克罗	SOCKET CAP SCREW	1	20306251	
145	MH6040R.02.12.04	BOLT	1	40401016	
146	GB93-10 达克罗	SPRING WASHER	1	20509008	
147	MH6040R.02.12A	AIR COVER ASSY.	1	40303016	
148	MH6040R.02.03	SHAFT	1	40406024	
149	FIR-404822	INNER BEARING	1	21011001	
150	GB13871-FB48x72x10	LIP SEAL	1	21106010	
151	GB3452.1-36x2.65 硅	O-TYPE SEAL RING	1	21101356	
152	MH6037R.02.13	BELT COVER ASSY.	1	40302025	
153	MH6040R.02.14A	PULLEY	1	40607013	
154	MH6037R.02.04	ECCENTRIC WEIGHT	2	40508039	
155	MH6040R.02.02	GEAR	1	40601007	
156	MH6040R.02.05	PIN	1	40402023	
157	GB894.1-55 达克罗	RETAINING RING	2	20601018	
158	GB276-6211	BEARING 6211	1	21001064	
159	GB893.1-100 达克罗	ELASTIC COOLAR FOR HOLE	1	20602013	
160	MH6040R.02.06.02	CONNECTING SLEEVE	1	40504045	
161	GB70.1-M5x12 达克罗	SOCKET CAP SCREW	1	20306003	
162	GB93-5 达克罗	SPRING WASHER	1	20509002	
163	GB96.1-5 达克罗	LARGE WASHER	1	20504001	
164	609ZZ NSK	BEARING	2	21001010	
183	GB70.1-M6x30 达克罗	SOCKET CAP SCREW	1	20306058	
184	JTKG-16	RUBBER STRIP CLAMP	1	41406023	
185	MH4025R.00.29	FIXED WASHER	1	40504036	
186	MH6037R.02.13.04	COVER PLATE	1	40203343	



PCR6037H. BOM07-A					
ITEM NO.	PART NO.	DESCRIPTION	QTY	ERP NO.	REMARK
165	GB5783-M8x16 达克罗	HEX HEAD SCREW	9	20102116	
166	GB93-8 达克罗	SPRING WASHER	9	20509006	
167	GB97.1-8 达克罗	FLAT WASHER	9	20501007	
168	GB5783-M6x50 达克罗	HEX HEAD SCREW	2	20102065	
169	TAPG-215	CLAMP	1	41406025	
170	GB93-6 达克罗	SPRING WASHER	2	20509004	
171	GB889.1-M6 达克罗	LOCK NUT	2	20405002	
172	MH6037R. 03	BASE PLATE ASSY.	1	52201002	
173	GB889.1-M3 达克罗	LOCK NUT	2	20405030	
174	GB818-M3x16 达克罗	CROSS RECESSED PAN HEAD SCREWS	2	20301058	
175	GB97.1-3 达克罗	FLAT WASHER	2	20501028	
176	RL-HM019V	TRAIL TECH TIRED TIMER	1	41408139	



MASTERPAC INTERNATIONAL:

Add. Z.A.C du trou grillon
P.O Box 38. 91280 St PIERRE DU PERRY. FRANCE
Tel. +33-6-12-70-02-63
E-mail. intlsales@masterpac.eu

MASTERPAC ASIA:

Add. Weisi Road, Baohe Industrial Estate, P.R.C.
Tel. 86-551-4846601, 4846580
Fax. 86-551-4846616, 4846626
E-mail. sales@masterpac.eu
www.masterpac.eu